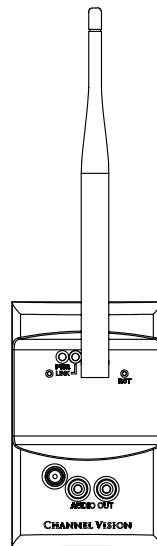
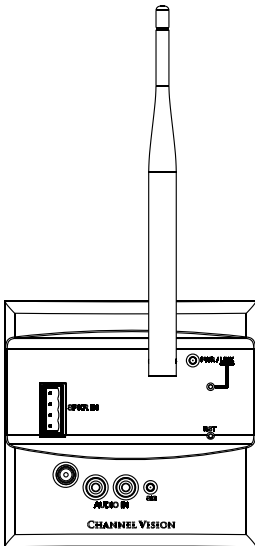


INSTRUCTIONS



WA-321

1-to-Many Wireless Audio Transmitter

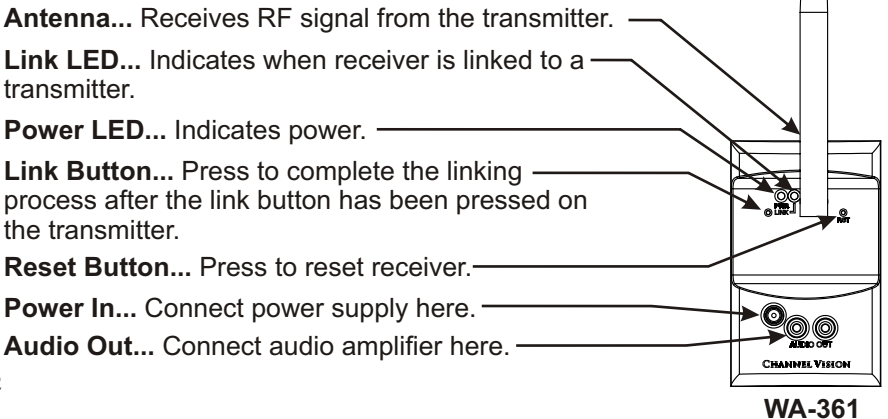
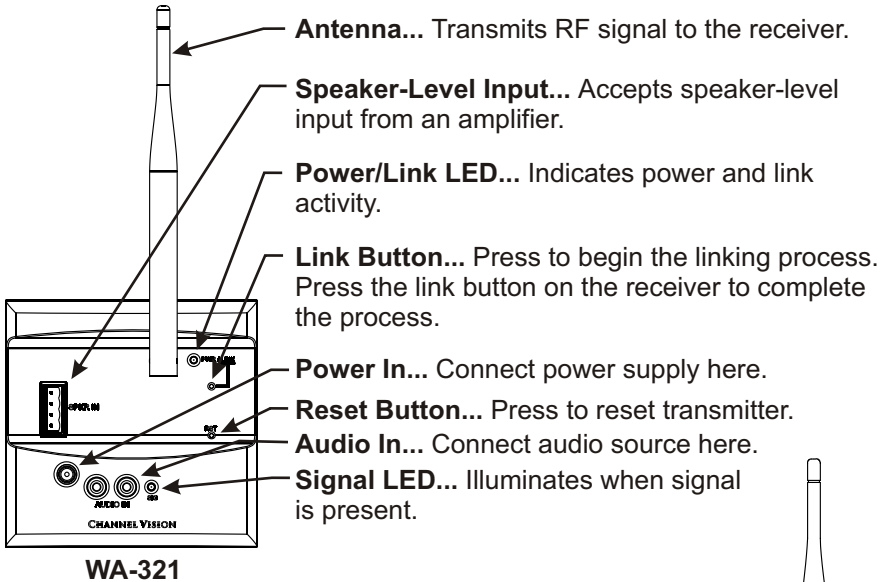
WA-361

1-to-Many Wireless Audio Receiver

The **WA-321** 1-to-Many Wireless Audio Transmitter and **WA-361** 1-to-Many Wireless Audio Receiver make it possible to create a distributed audio system without running wires from one room to another. The WA-321 can accept either line level or speaker level audio, making it easy to distribute signals to the rear speakers of a surround sound system. The transmitter can link to multiple receivers allowing music to be distributed to multiple locations simultaneously. To avoid interference, the WA-321 can broadcast over 8 different transmission channels.

Features:

- Wirelessly transmits audio up to 300ft.
- Line-level, Speaker-level, or CAT-5 Audio System inputs (WA-321)
- Standard Line-level audio outputs (WA-361)
- 8 transmission channels
- Easy installation and linking



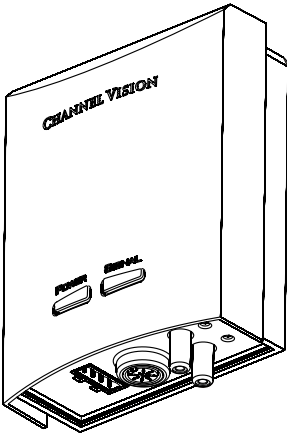
IMPORTANT SAFETY INSTRUCTIONS

1. Read these instructions.
2. Keep these instructions for future reference.
3. Heed all warnings.
4. Follow all instructions.
5. Do not use this device near water.
6. Clean only with a dry cloth.
- 7 Do not block any ventilation openings. Install in accordance with these instructions.
8. Do not install near any heat sources such as radiators, heat registers, stoves, or other apparatus (including amplifiers) that produce heat.
9. This apparatus must not be exposed to dripping or splashing and no objects filled with liquids, such as vases, shall be placed on the apparatus.
10. Protect the power cord from being walked on or pinched particularly at plugs, convenience receptacles, and the point where they exit from the apparatus.
12. Unplug this apparatus during lightning storms or when unused for long periods of time.
- 13.

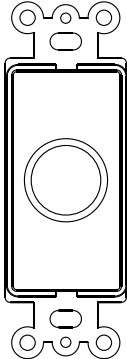


Warning: To reduce the risk of electric shock, do not remove the cover (or back), no user serviceable parts inside, refer servicing to qualified service personnel.

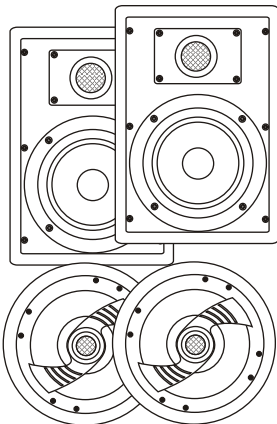
Accessories & Complementary Products (sold separately)



A0240... 2-channel 40 Watt amplifier. It can be used to power a small 1-room audio system or integrated with Channel Vision's A0302 to provide supplemental power to low power distributed audio systems.



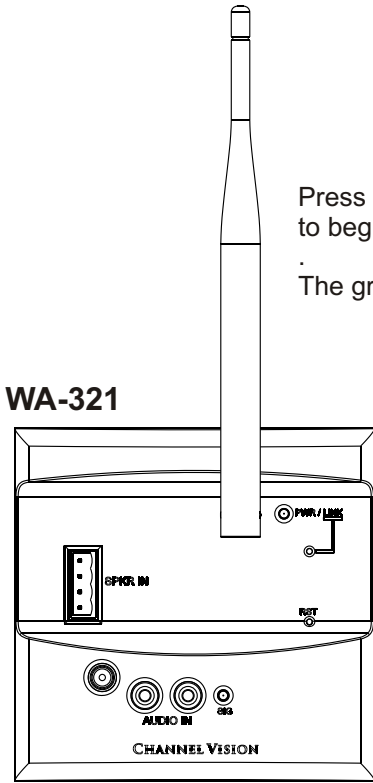
VC-302... Impedance Matching Volume Control
The VC-302 is an impedance matching volume control with an IR receiver knockout. The knockout allows Channel Vision's IR-2400 to be integrated with the volume control for applications that require IR repeating. The VC-302 comes with white, ivory, and almond knobs and face plates to easily match other wall plates in the room.



In-wall and In-ceiling Speakers... Channel Vision offers a full line of premium in-wall and in-ceiling speakers. These speakers are perfect for whole-house music or home theater applications.

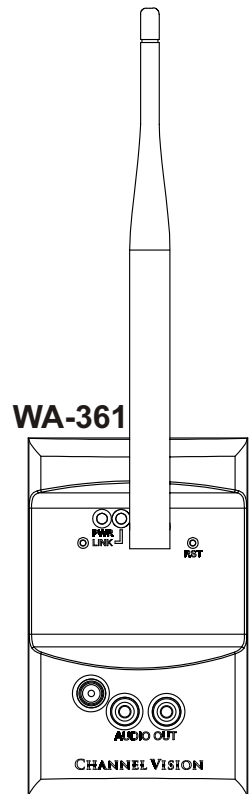
Linking the WA-361 to the WA-321

The WA-361 and WA-321 operate on a 1-to-Many broadcast basis. The WA-361 must be "Linked" to a specific WA-321 transmitter prior to the first use. Once linked they will maintain their paired status even if a power loss occurs. The "RST" button can be used to release a linked receiver from its transmitter.



Press and hold the Link button for 3 seconds to begin the linking process

The green PWR/LINK LED will turn orange.



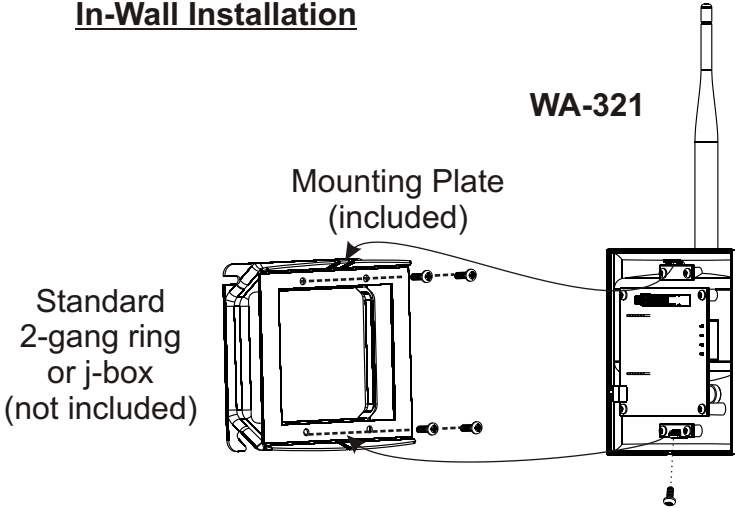
Press the link button on the receiver within 6 seconds to complete the process.

Note: The green PWR/LINK LED will blink until the receiver has been linked.

WA-321 Installation

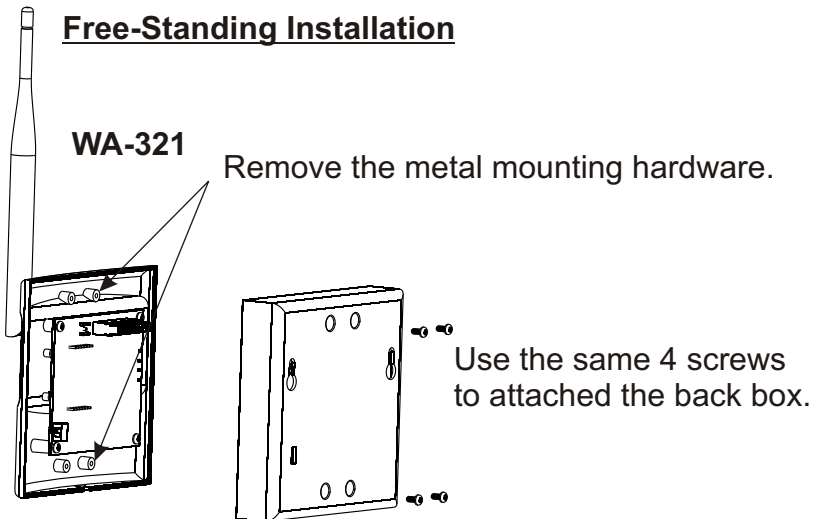
The WA-321 can be installed in the wall using a standard 2-gang junction box or low-voltage mounting ring. For surface mounted or free-standing applications, it can be installed in the back box provided. Follow the simple illustrations below.

In-Wall Installation



Hang the WA-321 from the center tab on the mounting plate. Tighten screw in bottom secure unit to mounting plate.

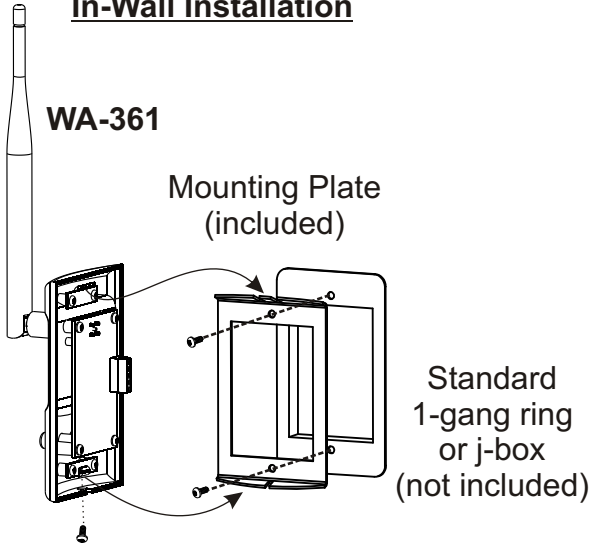
Free-Standing Installation



WA-361 Installation

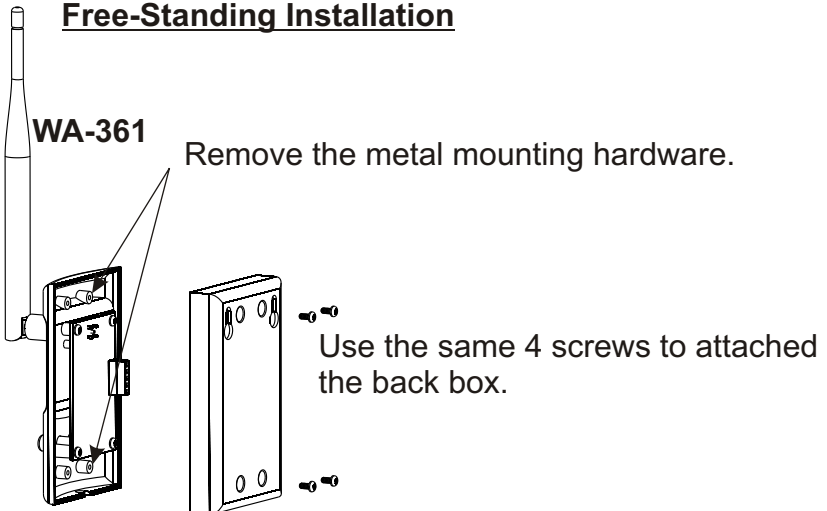
The WA-361 can be installed in the wall using a standard 1-gang junction box or low-voltage mounting ring. For surface mounted or free-standing applications, it can be installed in the back box provided. Follow the simple illustrations below.

In-Wall Installation



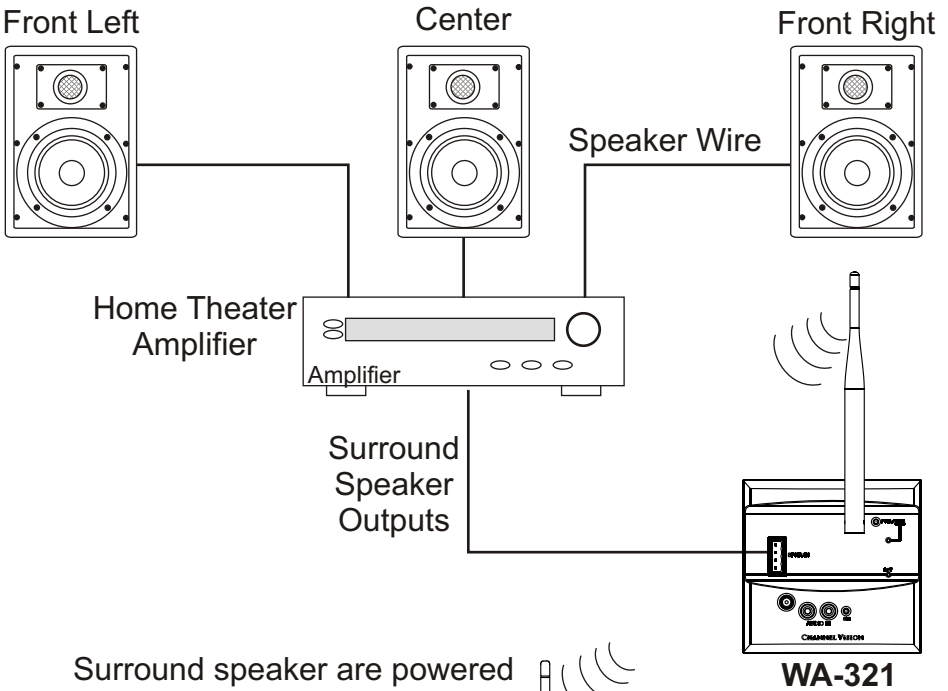
Hang the WA-361 from the center tab on the mounting plate. Tighten screw in bottom secure unit to mounting plate.

Free-Standing Installation

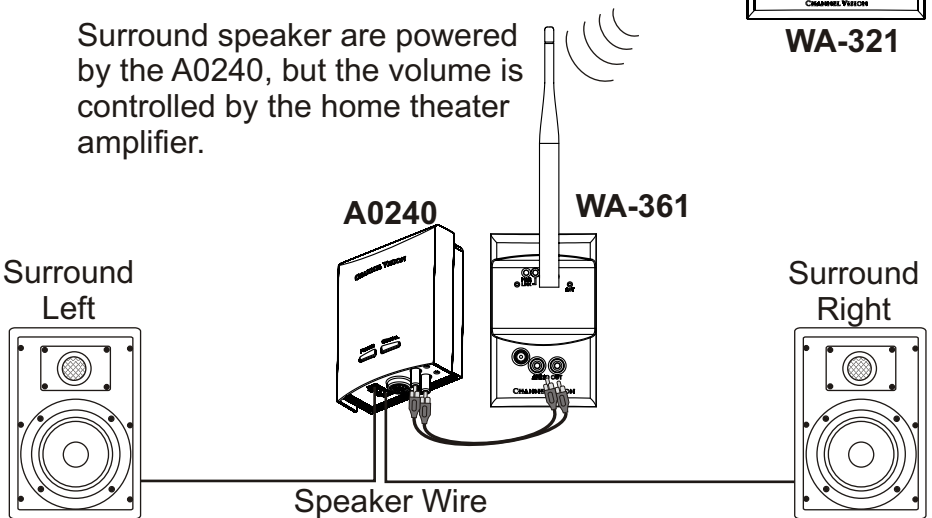


Using the WA-321 & WA-361 in a Home Theater

The WA-321 can accept the left/right surround speaker outputs from a home theater amplifier and transmit the signal to the WA-361. The WA-361 can then output the signal to a small amplifier like the A0240 which powers the speakers. The volume level of the surround speakers will be raised and lowered by the volume control of the home theater amplifier.

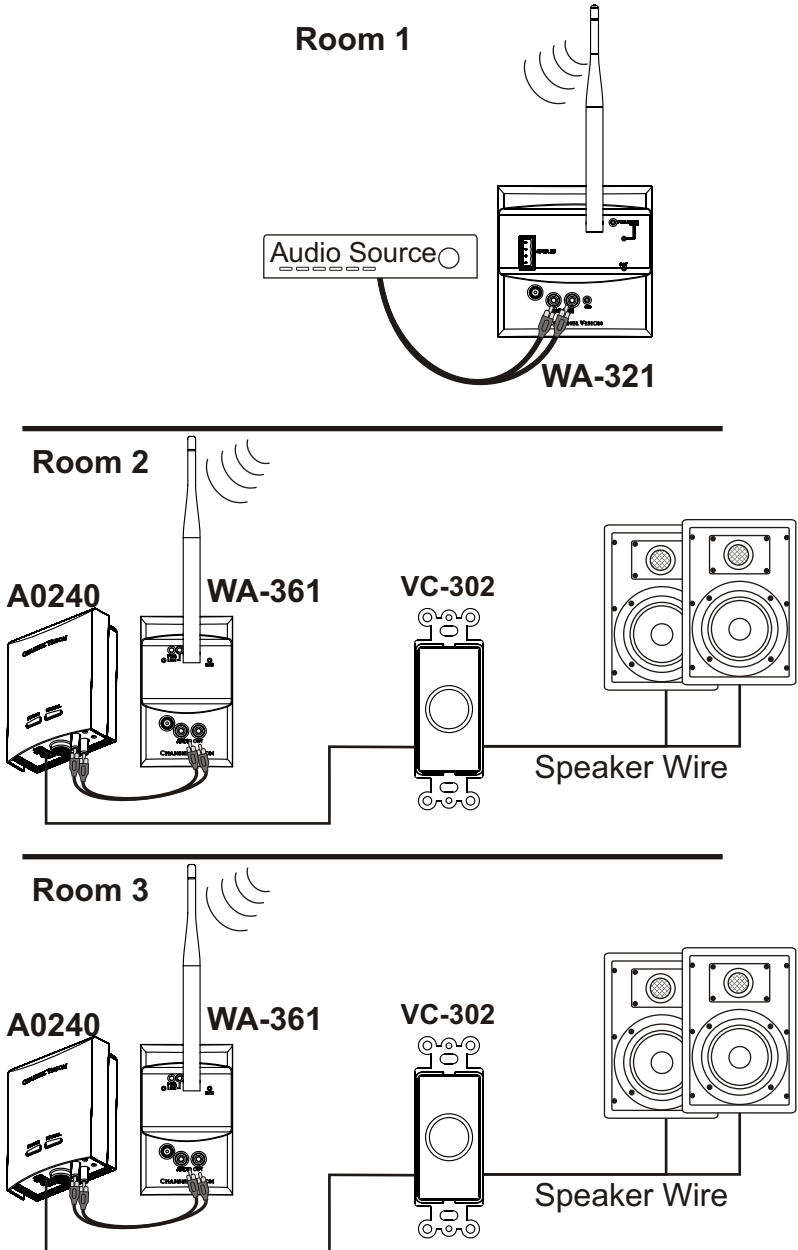


Surround speaker are powered by the A0240, but the volume is controlled by the home theater amplifier.



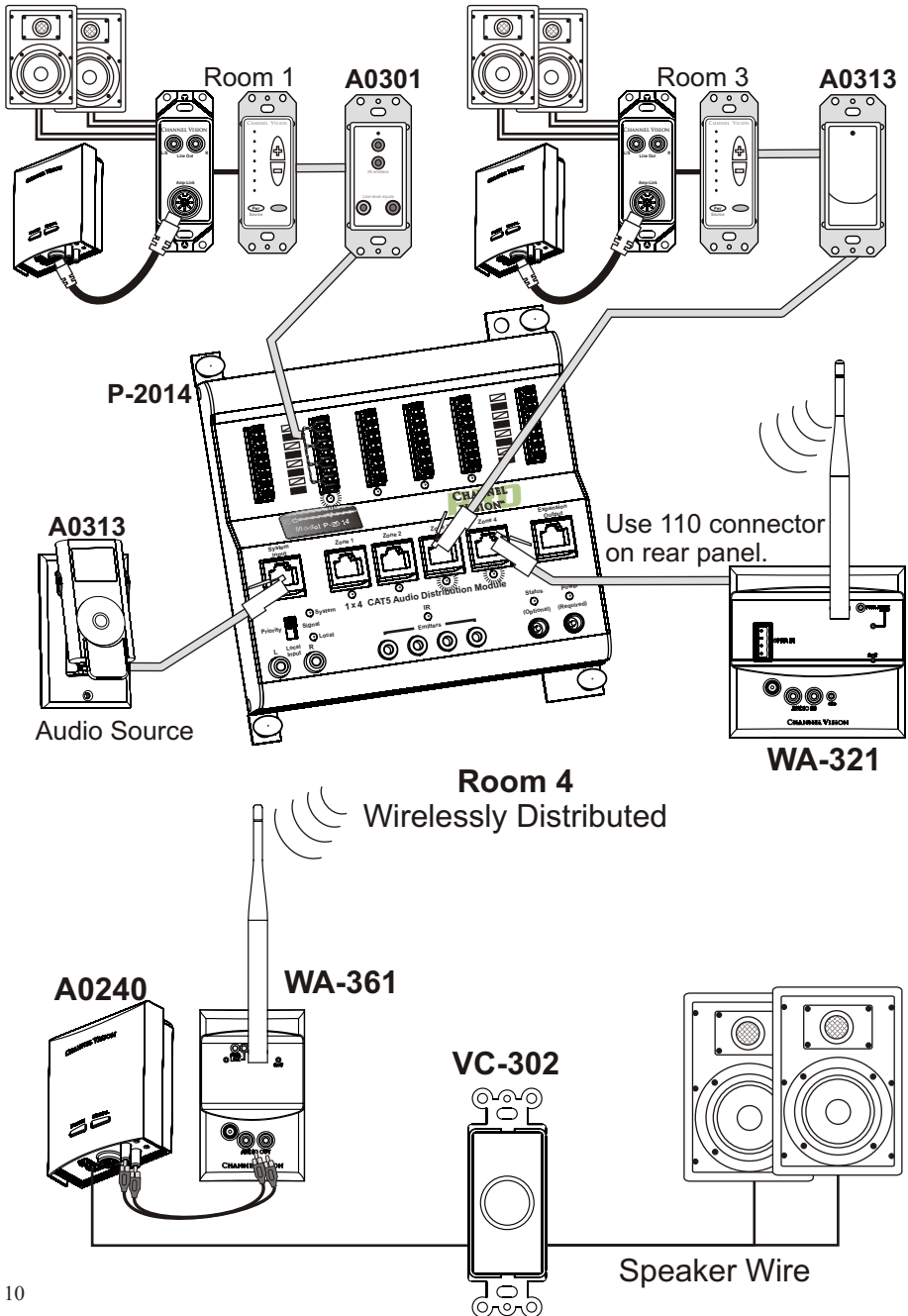
Using the WA-321 & WA-361 for Distributed Audio

These wireless audio products make it easy to transmit audio from one room to another. Connect any standard audio component to the input connectors of the WA-321 in Room 1, and use the RCA outputs of WA-361 receivers to feed amplifiers in several different rooms. If a fixed gain amplifier is used (such as the A0240), a volume control like the VC-302 will be needed to adjust the volume level in the remote rooms.



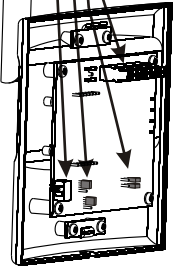
Using the WA-321 & WA-361 in a Crescendo CAT-5 Audio System

The WA-321 can accept and input signal from Channel Vision's Crescendo CAT-5 Audio System and transmit the signal to the WA-361.



Rear Panel Features and Connections:

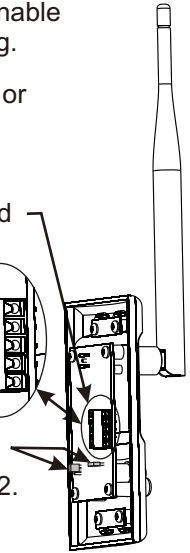
- Input Switch...** Place in the down position when using speaker-level inputs and up position when using the line-level inputs.
- J2 & J5 RCA/110 Jumpers...** When using RCA inputs, set to pins 1&2. When using 110 connector, set to pins 2&3.
- J8 & J9 Audio Sense Jumpers...** Set to pins 1&2 to enable audio-sensing. Set to pins 2&3 to disable audio-sensing.
- 110 Connector...** Allows connection to a Crescendo or A-BUS[®] hub.



WA-321

Screw Terminals... Provide power input and audio output connections.

- Power in** { +V
- { Gnd
- Audio Out** { Gnd
- { Right +
- { Left +



WA-361

J5 & J6 RCA/Screw Terminal Jumpers...
 When using screw terminals, set to pins 1&2.
 When using RCA outputs, set to pins 2&3.

Specifications: (typical at 25 degrees C)

Transmit and Receive:

Input Voltage:	6-30 VDC
THD+N:	0.7% Max
S/N Ratio:	80 dB
Audio Latency:	3.8 ms
Operating Frequency:	2400 MHz
Data Rate:	1.152 Mbps
Audio Sampling Rate:	48 kHz
Channels:	8 (User Selectable)

Transmit:

Transmission Power:	8.5 dB (9.5dB Max)
Modulation Type:	GFSK
Channel Spacing:	9 MHz
Max. Audio Input:	2.6 Vpp
Input Impedance:	20 kOhm
Max. Speaker Level In:	100 Watts RMS

Receive:

RX Sensitivity:	-85 dBm
Image Rejection:	47 dBc
Audio Output Level:	2.6 Vpp
Audio Output Impedance:	16 Ohm
Frequency Response:	20-20kHz +/- 3dB
Adjacent Channel Rejection:	>45 dB

Specifications subject to change without notice

A-BUS is a registered trademark of LeisureTech Electronics Pty Ltd

CHANNEL VISION™

2 Year Limited Warranty

Channel Vision Technology will repair or replace any defect in material or workmanship which occurs during normal use of this product with new or rebuilt parts, free of charge in the USA, for two years from the date of original purchase. This is a no hassle warranty with no mail in warranty card needed. This warranty does not cover damages in shipment, failures caused by other products not supplied by Channel Vision Technology, or failures due to accident, misuse, abuse, or alteration of the equipment. This warranty is extended only to the original purchaser, and a purchase receipt, invoice, or other proof of original purchase date will be required before warranty repairs are provided.

Mail in service can be obtained during the warranty period by calling (800) 840-0288 toll free. A Return Authorization number must be obtained in advance and can be marked on the outside of the shipping carton.

This warranty gives you specific legal rights and you may have other rights (which vary from state to state). If a problem with this product develops during or after the warranty period, please contact Channel Vision Technology, your dealer or any factory-authorized service center.

 CHANNEL VISION™
www.channelvision.com

234 Fischer Avenue, Costa Mesa, California 92626 USA
(714)424-6500 • (800)840-0288 • (714)424-6510 fax
email: techsupport@channelvision.com